

Programming

P3 Lights' operation can be reprogrammed quickly and easily as follows:

To put the system in programming mode, tap the front or rear brake lever 4 times. Taps must be less than 1 second long, and not more than 2 seconds apart. The P3 will respond with 4 flashes, confirming programming mode.

Once in programming mode, change a setting by tapping the brake the number of times shown in the table below. Taps must be less than 1 second long, and not more than 2 seconds apart.

When you have finished, wait, and the P3 will respond with 2 flashes, confirming the new setting. It then exits programming mode.

All settings are programmed independently and are retained after the ignition is switched off. Decelerometer programming: see insert

BRAKE LIGHT PROGRAMMING

1 - no brake light modulation

2 - brake light modulates 4 times, then stays on

3 - brake light modulates 4 times rapidly then 4 times slowly, then stays on (default)

EMERGENCY FLASHER

4 – medium repeating flash; 2 Hz (- - - -)

5 – rapid repeating flash; 5Hz (-----)

6 – quad flash (---- - - - -)

TAILLIGHT PROGRAMMING

7 – toggle conspicuity flicker ON/OFF (default is ON)

8 – enable normal taillight brightness (default)

9 – enable high taillight brightness, for rain and fog

10 – turns taillight off (brake light only mode)

Note: Depending upon local regulations, you may want to disable taillight modulation and/or brake light modulation. Note, however, that both features significantly increase your visibility to traffic behind you.

Specifications

Current draw, controller: 0.015 amps,

Operating voltage: 9 - 16 VDC

Voltmeter accuracy (P3+): ±0.1 V

Maximum Lamp Current: 6 amps

TS models 3 amps per channel

Control module dimensions: L: 1.75" W: 1.31" H: 0.5"

Control module weight: 1 oz.

Fully compatible with BMW CAN-bus

Fully compatible with BMW's single filament tail/brake lights

This product is protected by US patent 7,928,660.

Email: info@skenelights.com

Web page: www.skenelights.com

800-624-0278

Designed and manufactured in the USA

IQ-260 Family

Rear Lighting Controllers

Installation and Instruction Manual

(Please see skenelights.com/installation-p3 for more details)

Introduction

The IQ-260 family of rear lighting controllers are stand-alone versions of the controller used in Skene Lights P3 systems. They add our unique conspicuity flicker to your own add-on rear visibility lights and/or your existing tail/brake lights.

The “-D” models add deceleration braking. The “-TS” models are dual channel controllers that add turn signal functionality.

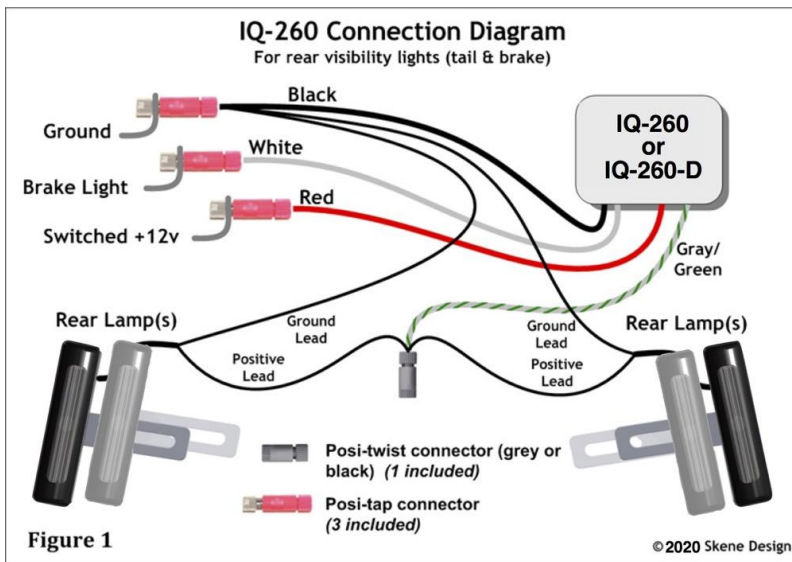
The IQ-260 can support any number of lamps with a maximum current draw of 6 amps. The “-TS” models can support a maximum current draw of 3 amps per channel (left and right).

Installation

With reference to Figure 1 use the included red/gray Posi-tap[®] connectors (Fig 2) to connect the **red** and **white** wires from the controller to your vehicle's **taillight*** (or any other switched 12V source) and **brake light** wires respectively. If no dedicated taillight wire is available or if the extra current draw on the taillight wire causes a lamp fault indication, connect this wire to a switched 12-volt source. The current draw is 0.015 amps for the controller plus the current drawn by the attached lamps.

Then twist together the **black** wire from the controller and the ground wires from the attached lamps and connect them to a ground

*NOTE: On recent BMW models see specific installation pages online at skenelights.com/installation-p3.



wire on the bike. For the IQ-260-TS model (Figure 1a), connect the **yellow** and **green** wires to the wires going to the vehicle's right and left turn signals, respectively.

Connect the Visibility Lamps

Connect the controller's gray/green wire to the rear visibility lamp's positive lead using the Posi-twist™ connector as shown in Figure 1. Instructions for using the Posi-tap and Posi-twist connectors are shown in Figure 2. Connect the negative lead to ground.

Note that you can connect the stock tail/brake light on your bike to the IQ-260 to convert it into a flashing brake light. Do this by connecting both the tail and brake wires from this lamp to the gray/green wire. On some bikes you may need to connect load resistors from the bike's tail and brake light wires to ground to avoid a lamp fault error.

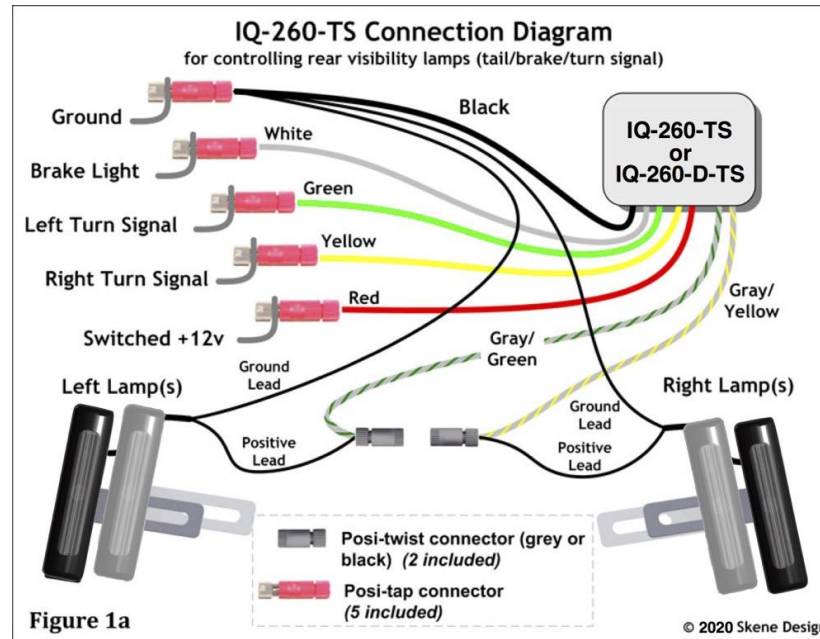
For the IQ-260-TS model with the turn signal (TS) option, connect the controller's gray/green wire to the left lamp and the gray/yellow wire to the right lamp as shown in Figure 1a.

Operation

Taillight

In taillight mode, the attached lamps feature a unique and highly effective conspicuity flicker. Details on this may be found at skenelights.com/conspicuity-flicker. Taillight conspicuity flicker may be enabled or disabled as described below.

Note: Conspicuity flicker will only be visible if the supplementary lamps are LEDs. Traditional bulbs have too slow a response time for the flicker to be noticeable.



For particularly foggy or hazy weather, the taillight can be switched to a high-brightness mode to help ensure that following traffic sees you from a greater distance.

Brake Light

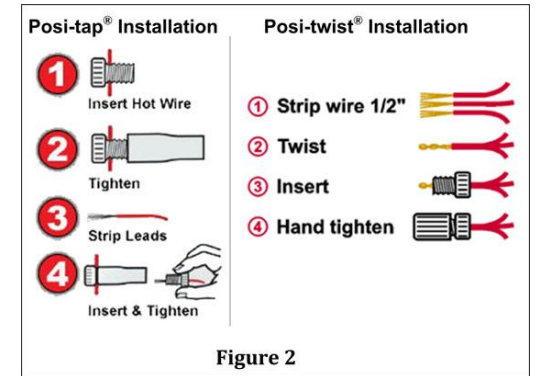
The IQ-260 may be programmed to one of three brake light operating modes:

- turn on normally, with a steady, high-brightness
- modulate 4 times, then revert to a steady mode
- modulate rapidly 4 times, then more slowly 4 times, then revert to a steady mode.

Turn Signal (TS model only)

The IQ-260-TS version turns the visibility lamps into supplementary turn signals.

If your bike has 4-way flashers, the lamps will mimic these. To ensure that your motorcycle adheres to local vehicle regulations, the vehicle's original turn signals should be retained.



Emergency Flasher

Should you need to pull over in a high traffic area or you're in a situation where traffic behind you needs to be warned of an emergency ahead, you can quickly switch your IQ-260 to one of three emergency flasher settings.

Emergency mode is remembered when the ignition is turned off. This allows you to turn off the ignition, activate the parking light, and remove the ignition key without disabling the emergency flasher. Emergency mode is cancelled as soon as the brake is activated.